

Y. SUGANO LAB.

Human-centered Visual Intelligence Systems



Department of Informatics and Electronics
Center for Dependable Socio-information Platform

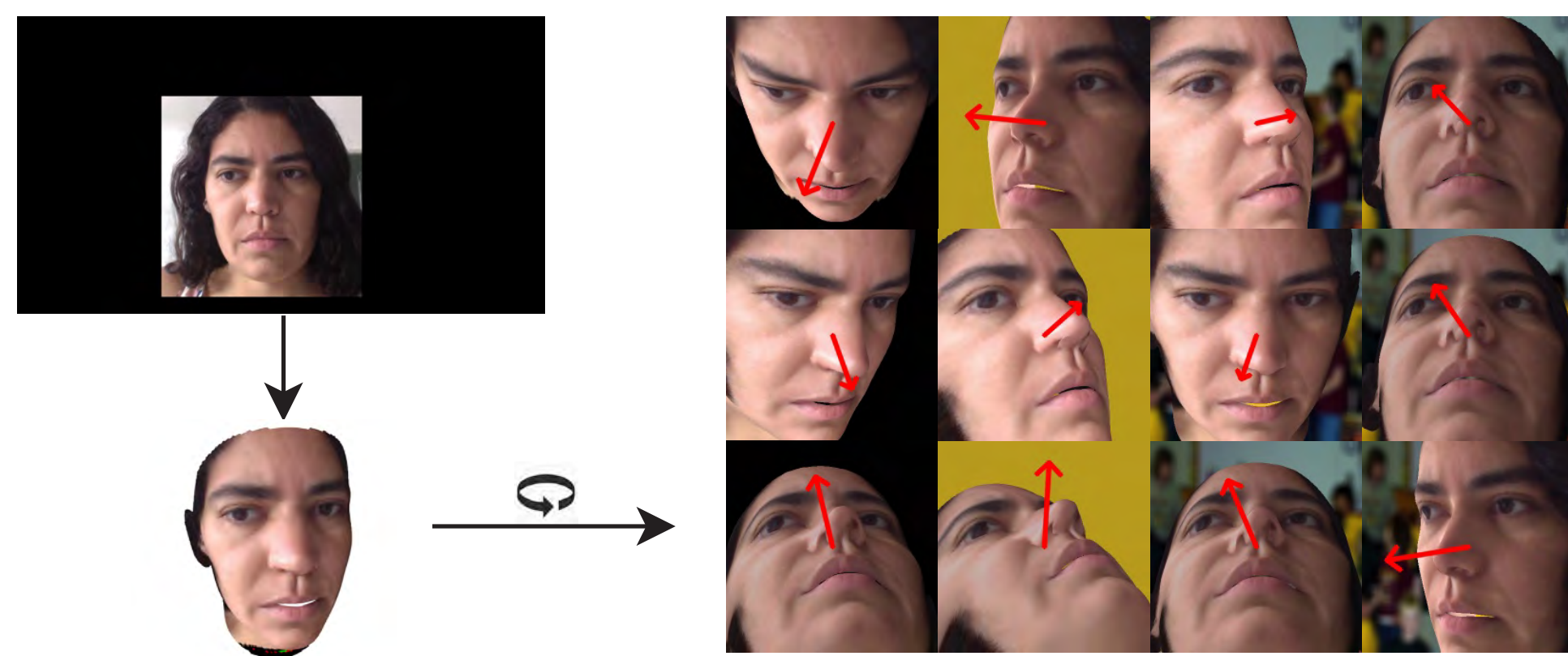
Department of Information and
Communication Engineering, Graduate School of
Information Science and Technology

Interactive Visual Intelligence

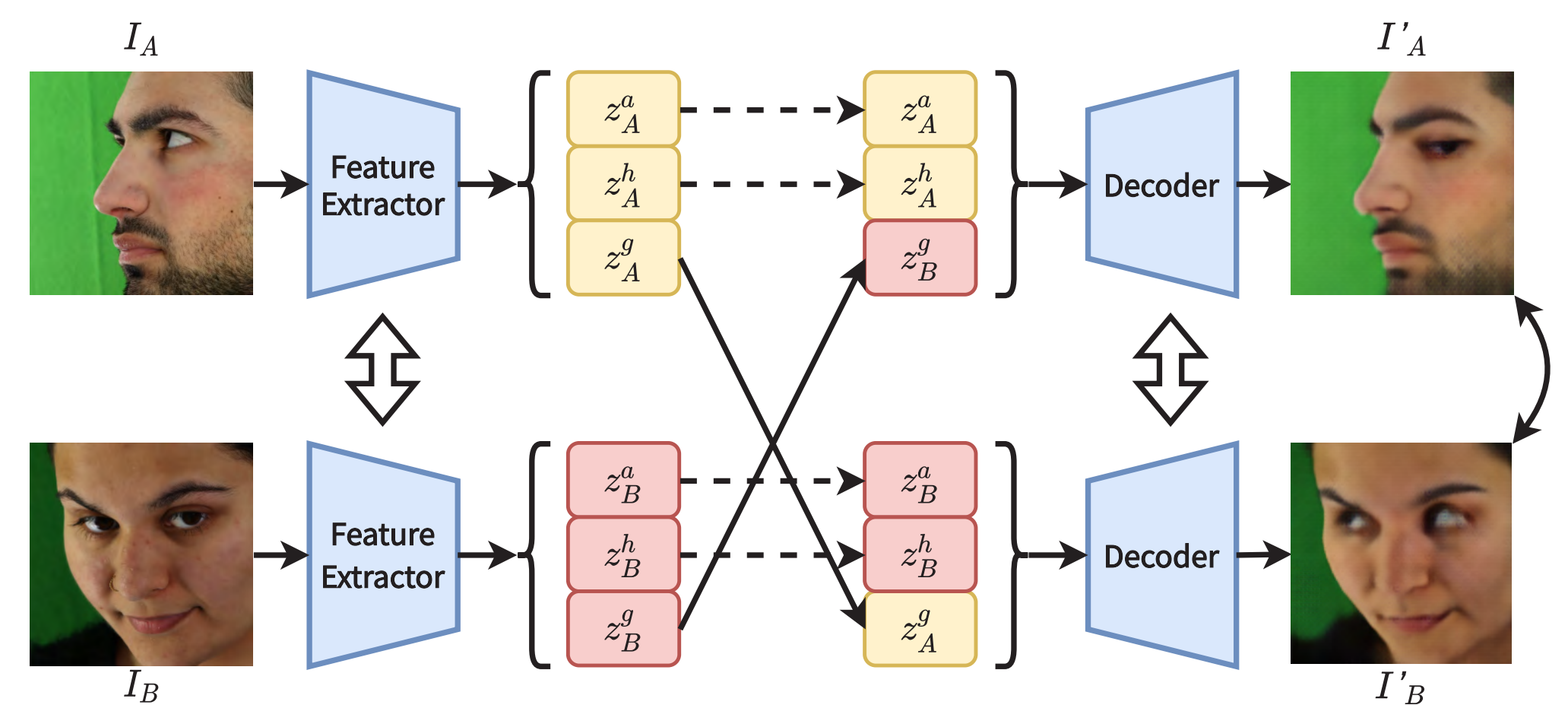
<https://ivi.iis.u-tokyo.ac.jp/>

We conduct research activities from machine learning to human-computer interaction with computer vision as the core and are engaged in research on intelligent systems from a holistic perspective that includes algorithms and user interaction.

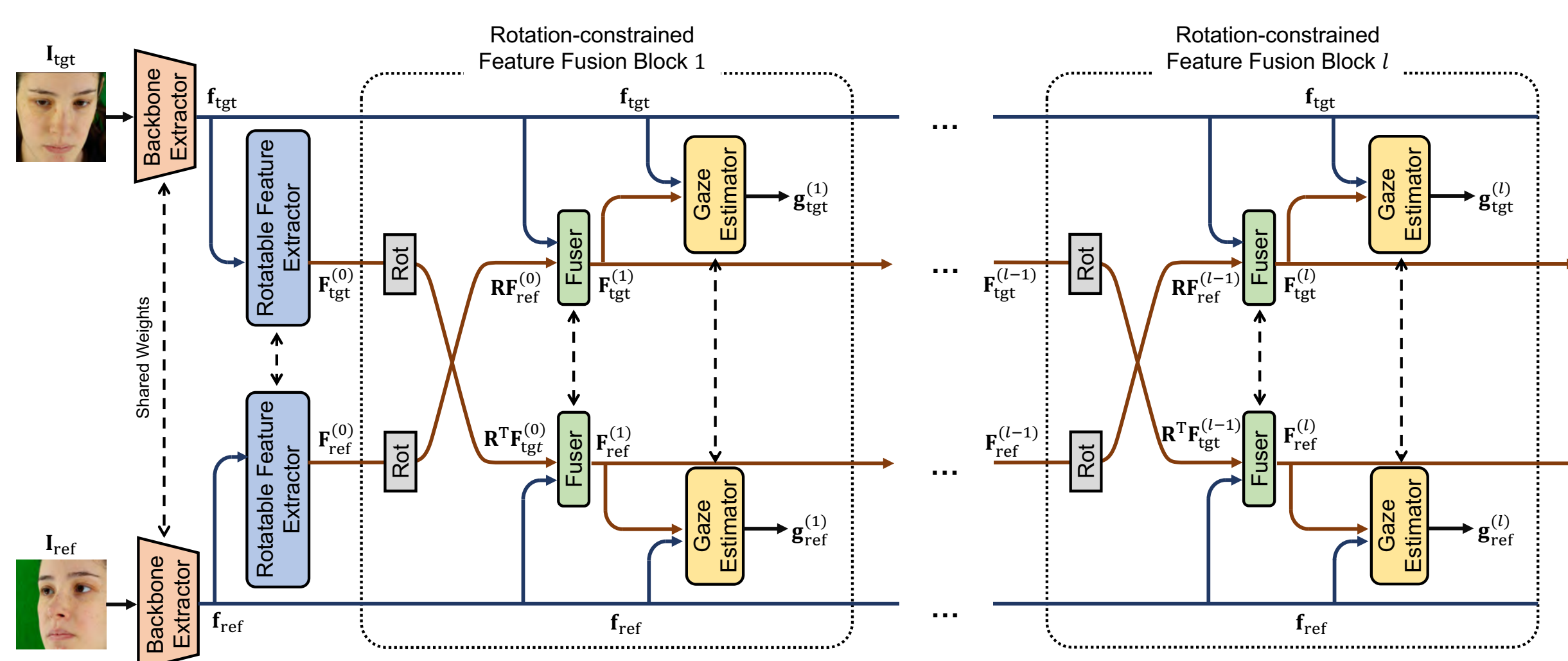
Gaze Estimation and User Understanding



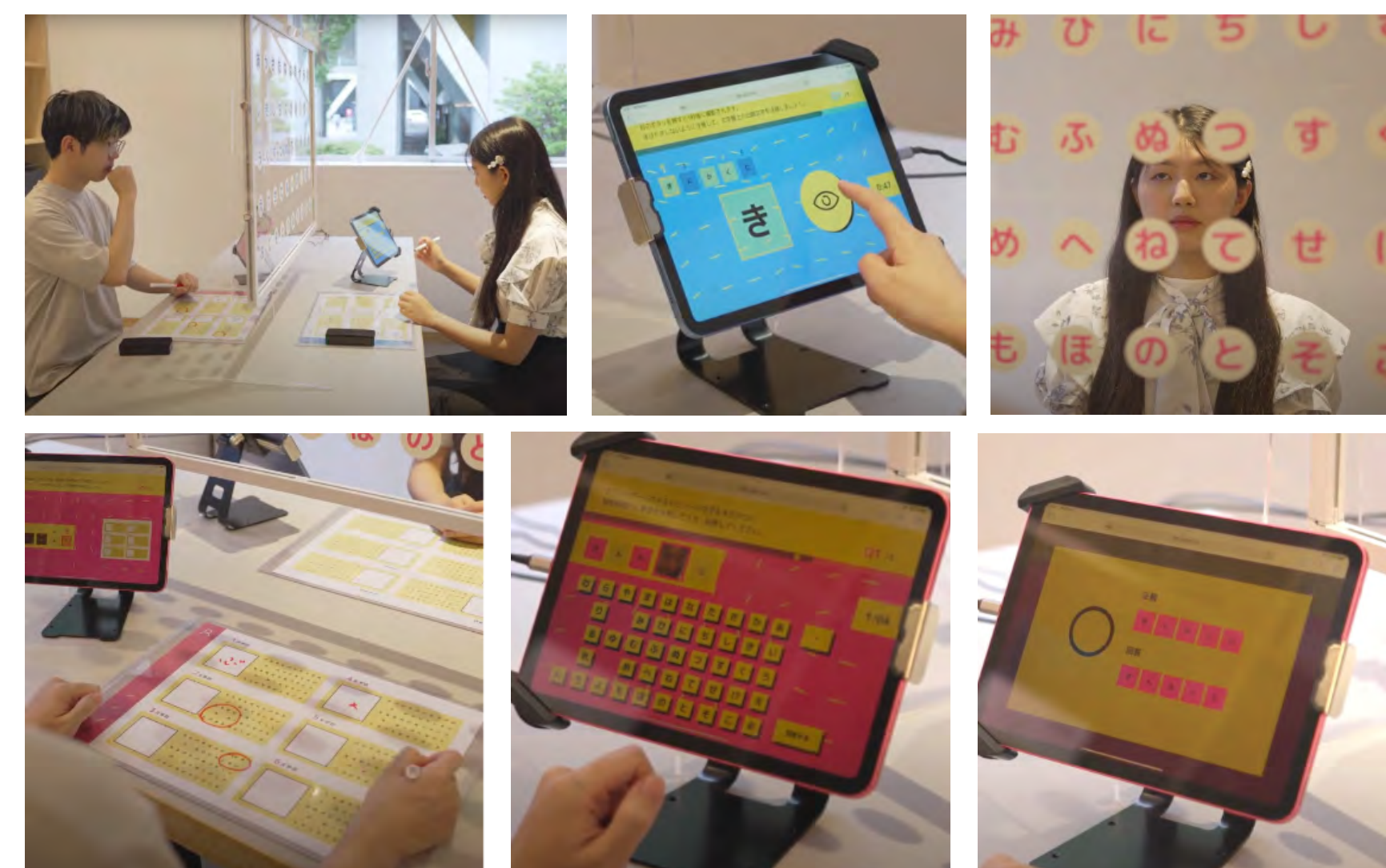
Training Data Synthesis for Gaze Estimation



Domain Adaptation for Gaze Estimation

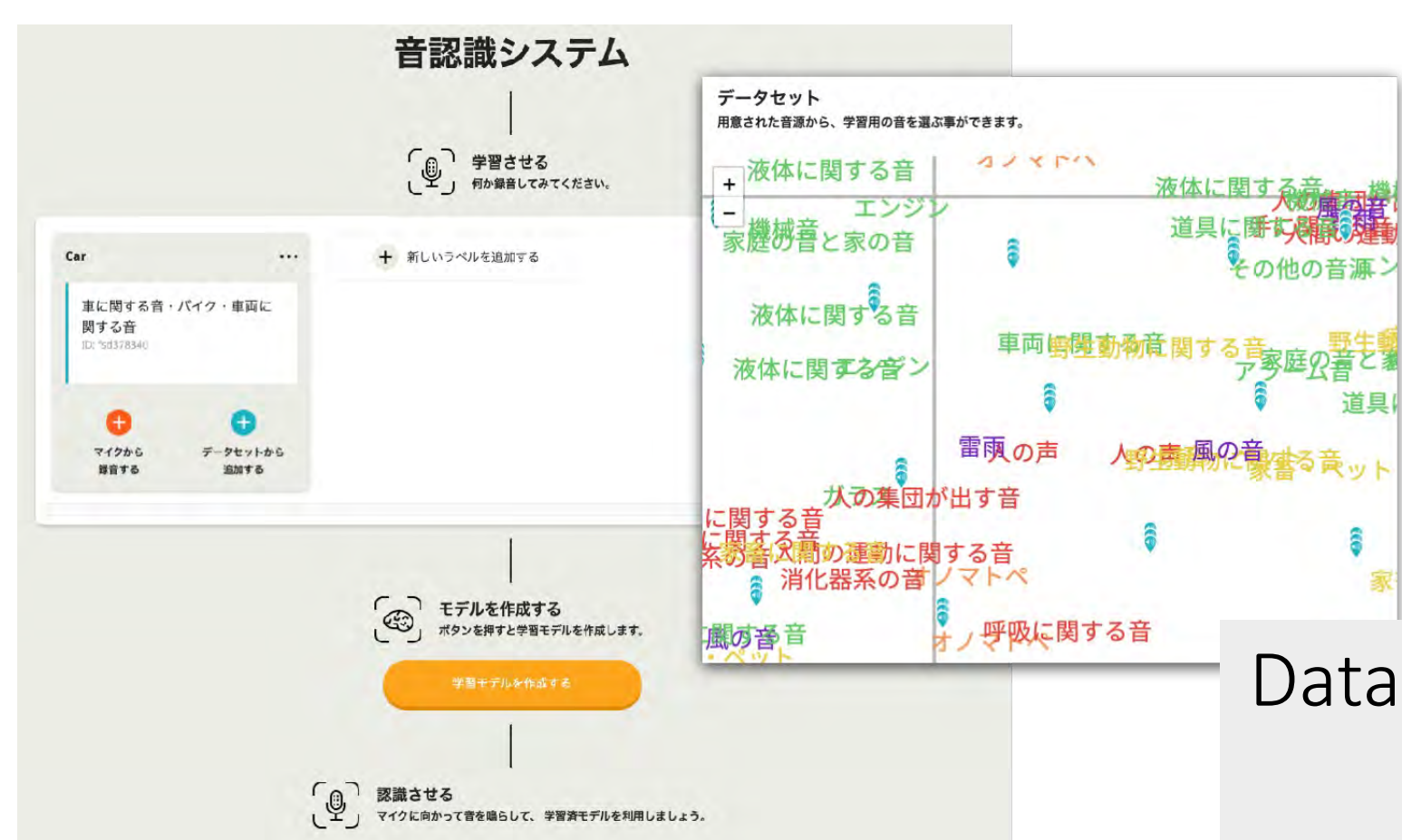


Multi-view Gaze Estimation



Gamified System for Gaze Data Collection

Interactive Machine Learning Systems



Data Visualization for
Interactive
Sound Recognition



Analytical Study of
Hands-on Machine Learning Experience

