

# TAKAMIYA LAB.

## [Integrated Power Management]



Centre for Interdisciplinary Research on Micro-Nano Methods (CIRMM)

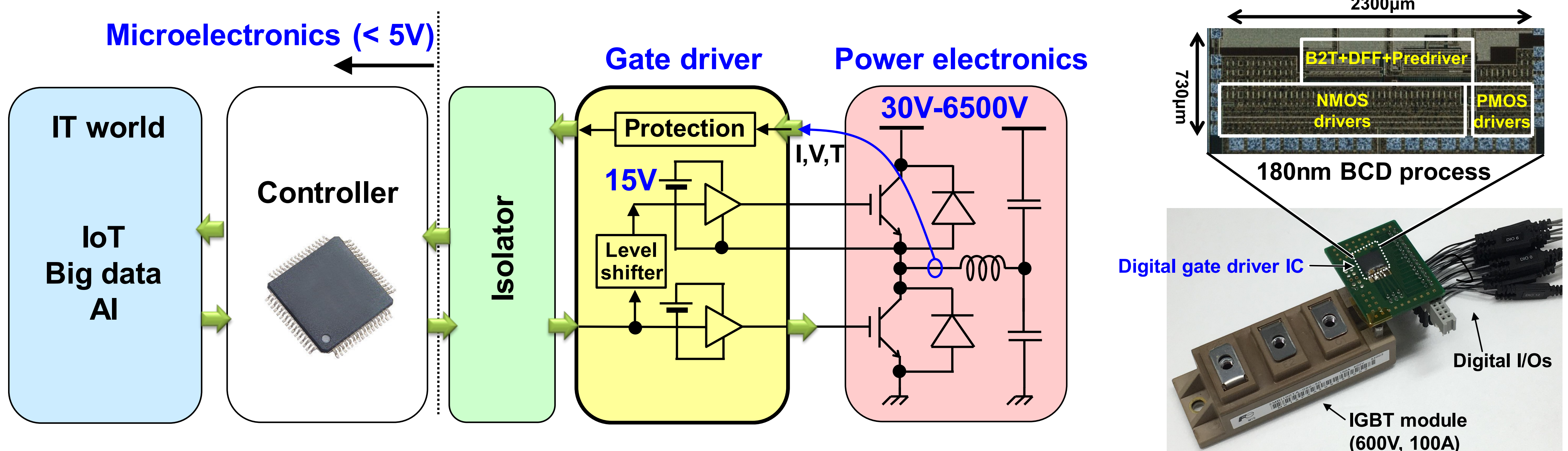
Integrated Power Management

Department of Electrical Engineering and Information Systems

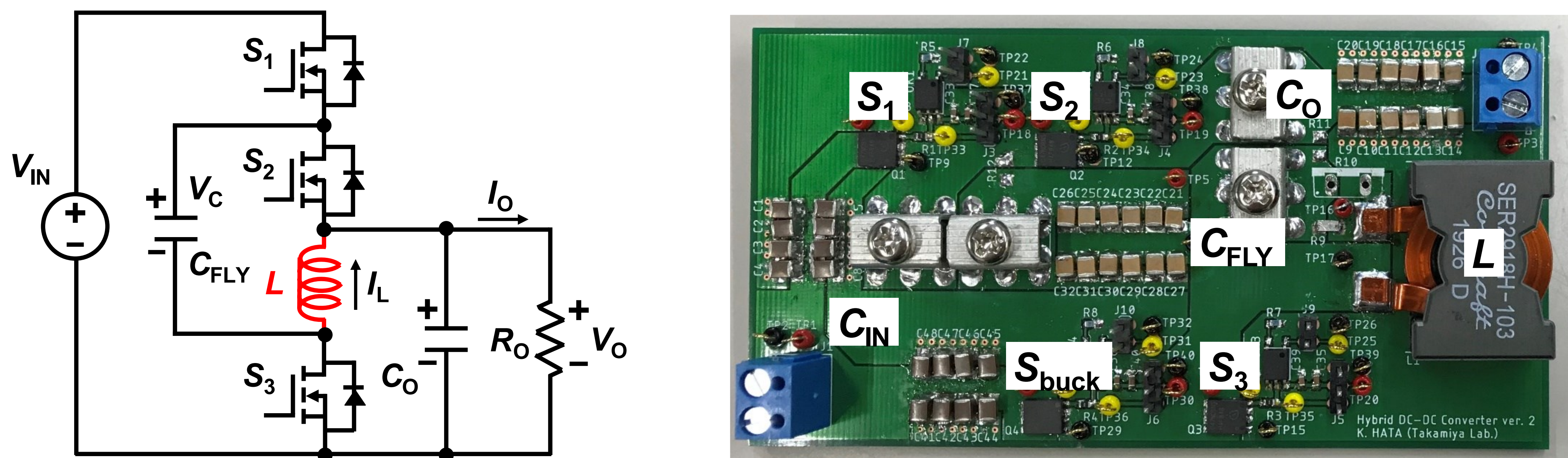
<http://icdesign.iis.u-tokyo.ac.jp/>

The research focus is the integrated power management covering the wide power range from nW for IoT nodes to kW for power electronics.

### Digital Gate Driver IC for Power Devices



### Hybrid DC-DC Converter



### Wireless Powering

